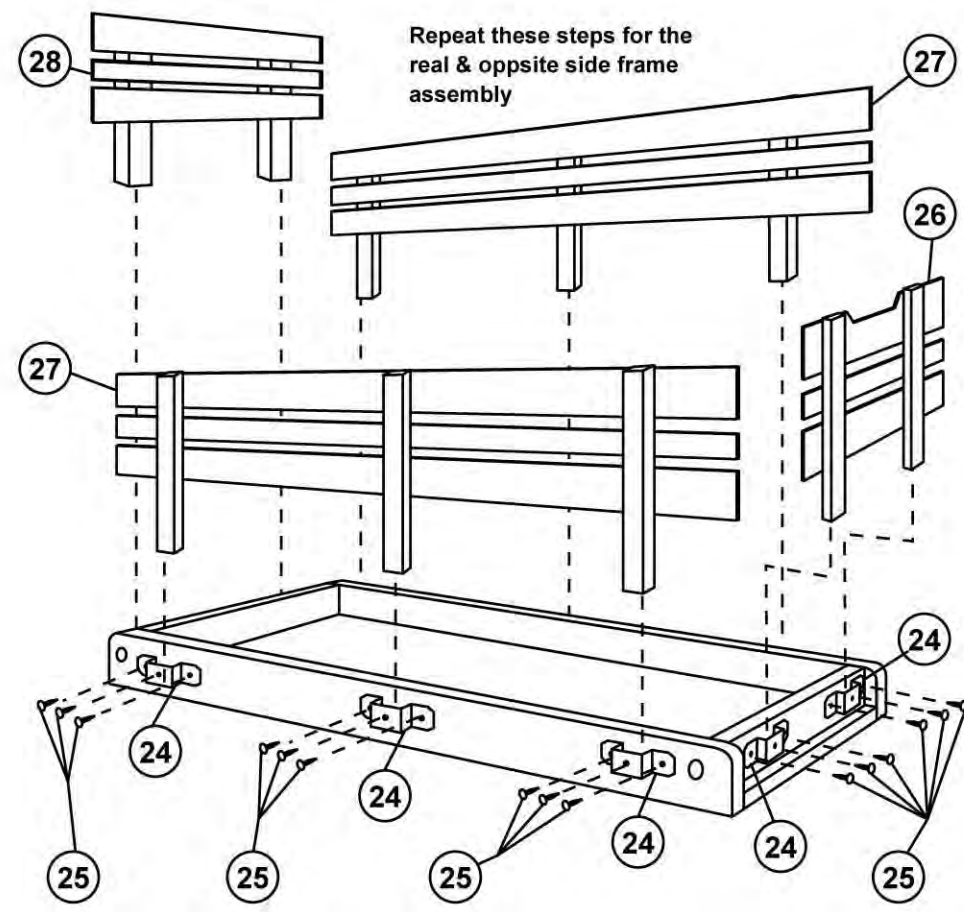


**Step 8**



For ages 3 and up  
 THANK YOU FOR PURCHASING THIS LITTLE BOX WAGON. SHOULD YOU HAVE ANY QUESTIONS REGARDING IT'S ASSEMBLY PLEASE CONTACT US AT ONE OF THE FOLLOWING:  
 www.littlebox.com.hk  
 or call 718-395-7738  
 Customer information:  
 Please keep information for future reference.  
 WARNING!  
 Colours and contents may vary from items shown.  
 MADE IN CHINA



# Wooden Wagon

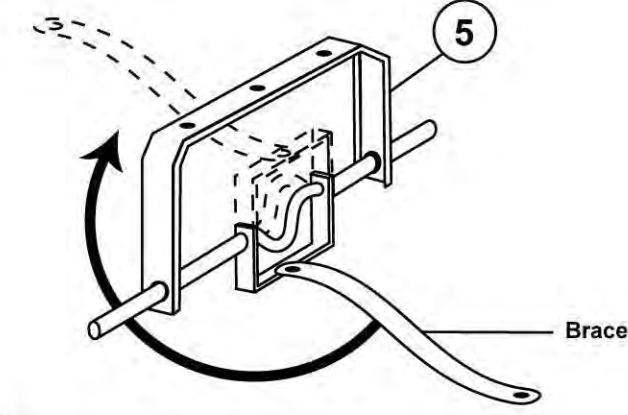
Classic, Safe and Versatile for kids!

## GENERAL INSTRUCTIONS

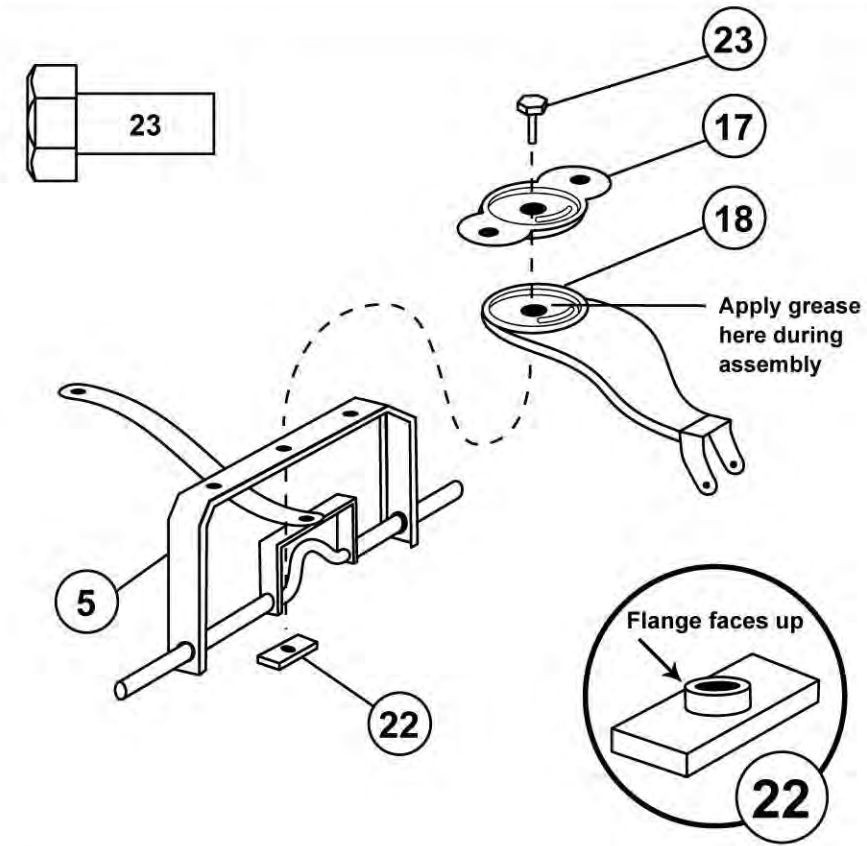


- Tools required**
- **ADULT ASSEMBLY REQUIRED:** this package contains small parts, which prior to assembly can present a choking hazard for children under the age of three. All plastic bags should be carefully disposed of one unpacked. Any excess hardware should be disposed of properly.
  - DETAILED INSTRUCTIONS SHOULD BE FOLLOWED AS SHOWN. FAILURE TO DO SO CAN RESULT IN ???.
  - TO AVOID SERIOUS INJURY PLEASE TAKE THESE POINTS INTO CONSIDERATION.
  - ADULT SUPERVISION IS REQUIRED AT ALL TIMES BOTH DURING ASSEMBLY AND USE.
  - CHILDREN MUST REMAINED SETATED AT ALL TIMES. THERE SHOULD NEVER BE MORE THAN TWO CHILREN IN THE WAGON AT A TIME. THEY SHOULD ALWAYS WEAR SHOES, HELMETS, OR OTHER PROTECTIVE GEAR THAT YOU FEEL IS APPROPRIATE FOR THEIR AGE. ARMS AND LEGS SHOULD REMAIN IN THE WAGON AT ALL TIMES.
  - NEVER USE NEAR: MOTOR VEHICLES, STREETS, ALLEYS, SWIMMING POOLS, STEPS, DRIVEWAYS THAT ARE SLOPED, OR AREAS THAT HAVE INCLINES.
  - ONCE FULLY ASSEMBLED BE SURE AND CHECK ALL HARDWARE FOR TIGHTNESS. WE SUGGEST THAT YOU ONCE AGAIN CHECK ALL HARDWARE AFTER THE FIRST USE , THEN AGAIN ON REGULAR SCHEDULE.

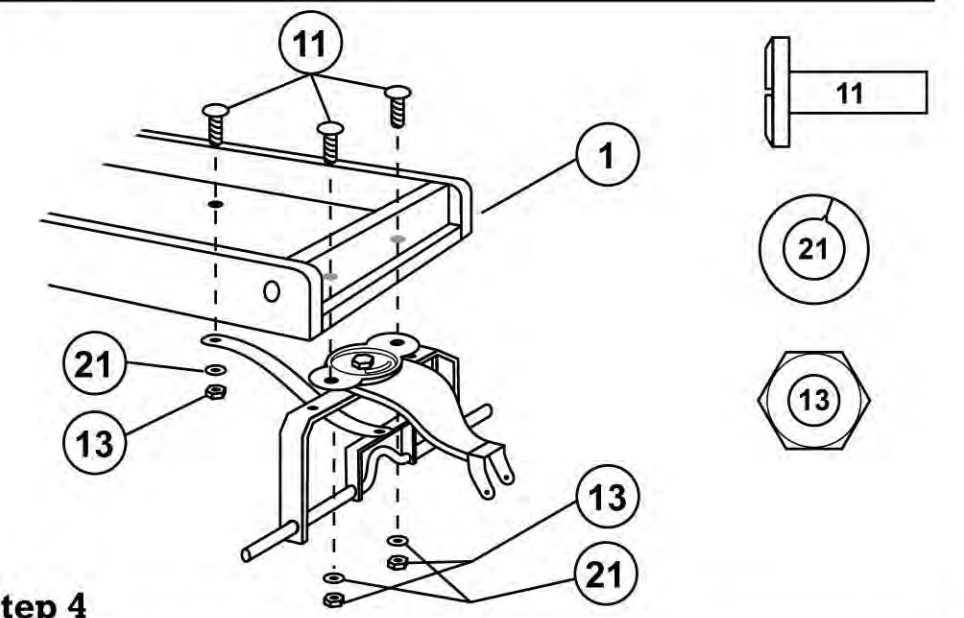
**Step 1**



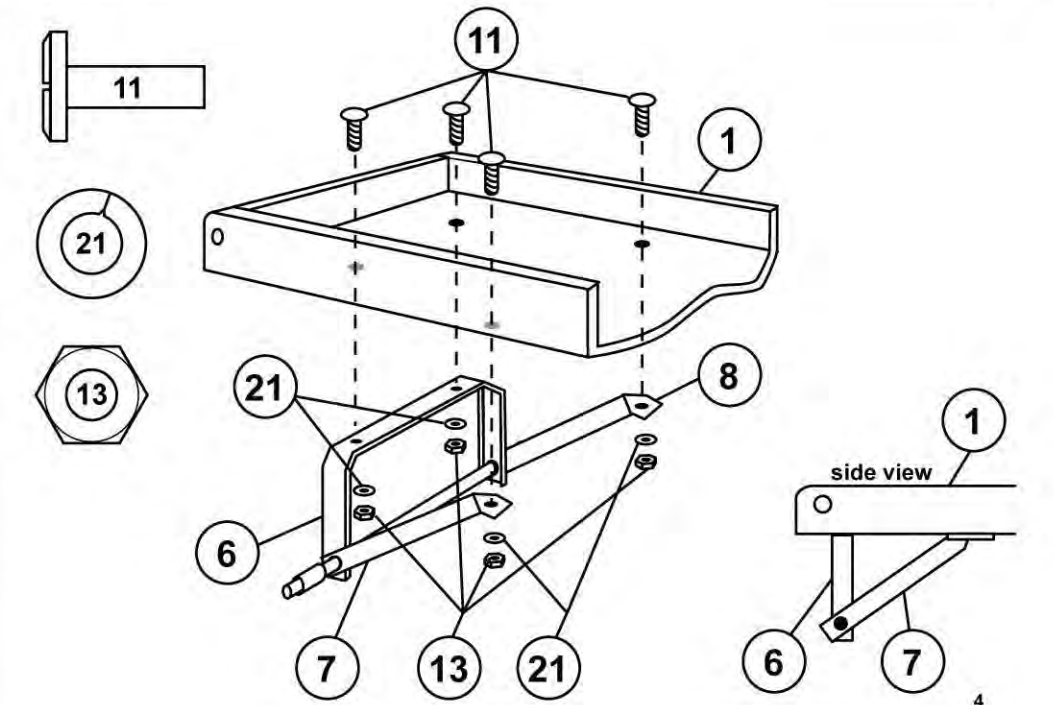
**Step 2**



**Step 3**

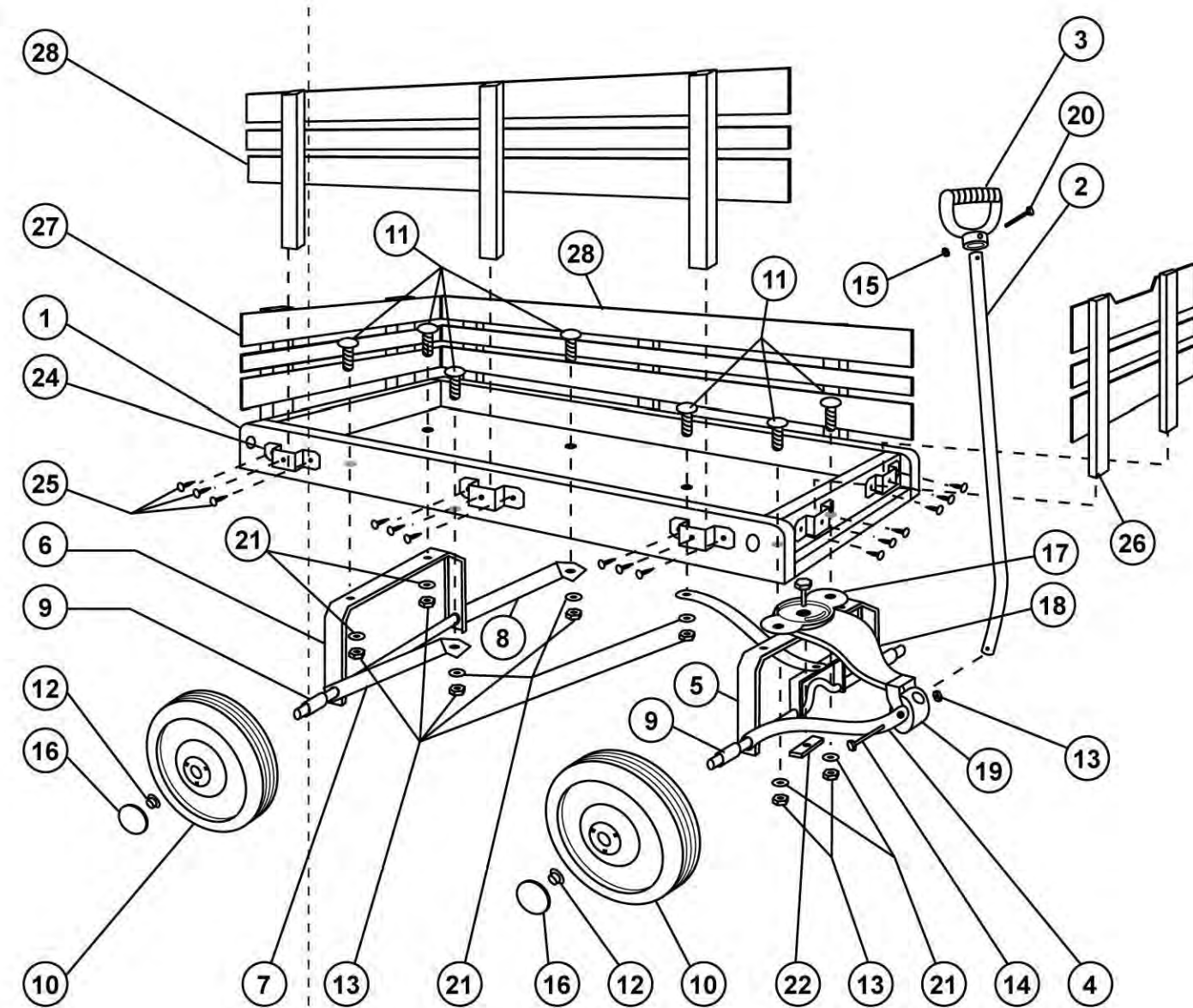


**Step 4**

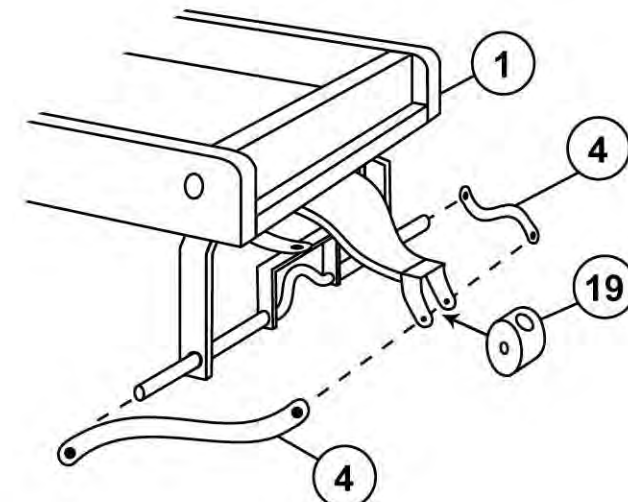


## Wooden Wagon Parts List

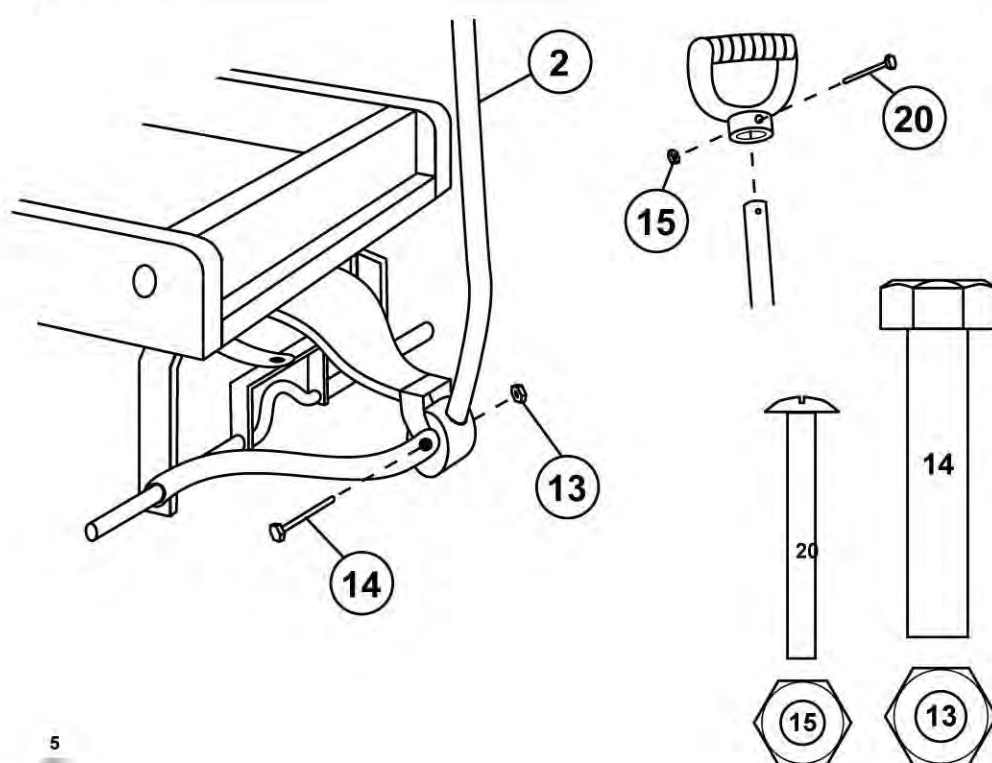
Key No.	Parts Name	Units
1	Body	x 1
2	Handle Assembly	x 1
3	Wagon Handle	x 1
4	Steering Arm Brace	x 2
5	Font U-frame Assembly	x 1
6	Rear U-frame Assembly	x 1
7	Rear Axie Brace - R	x 1
8	Rear Axie Brace - L	x 1
9	Spacer	x 4
10	Wheel	x 4
11	Truss Heasd Bolt 1/4-20 x1/2"	x 7
12	Pushnut Fastener	x 4
13	Hex Nut 1/4-20	x 7
14	Round Head Bolt 1/4-20 x3/4"	x 1
15	Hex Nut 10-32	x 4
16	Wheel Center	x 4
17	Steering Arm	x 1
18	Split Washer	x 1
19	Flage	x 1
20	Truss head Machine Screw	x 7
21	Split Washer	x 7
22	Flage	x 1
23	Hex Head Bolt	x 1
24	Front Frame	x 10
25	Rear Frame	x 30
26	Side Frame	x 1
27	Side Frame	x 1
28	Side Frame	x 2



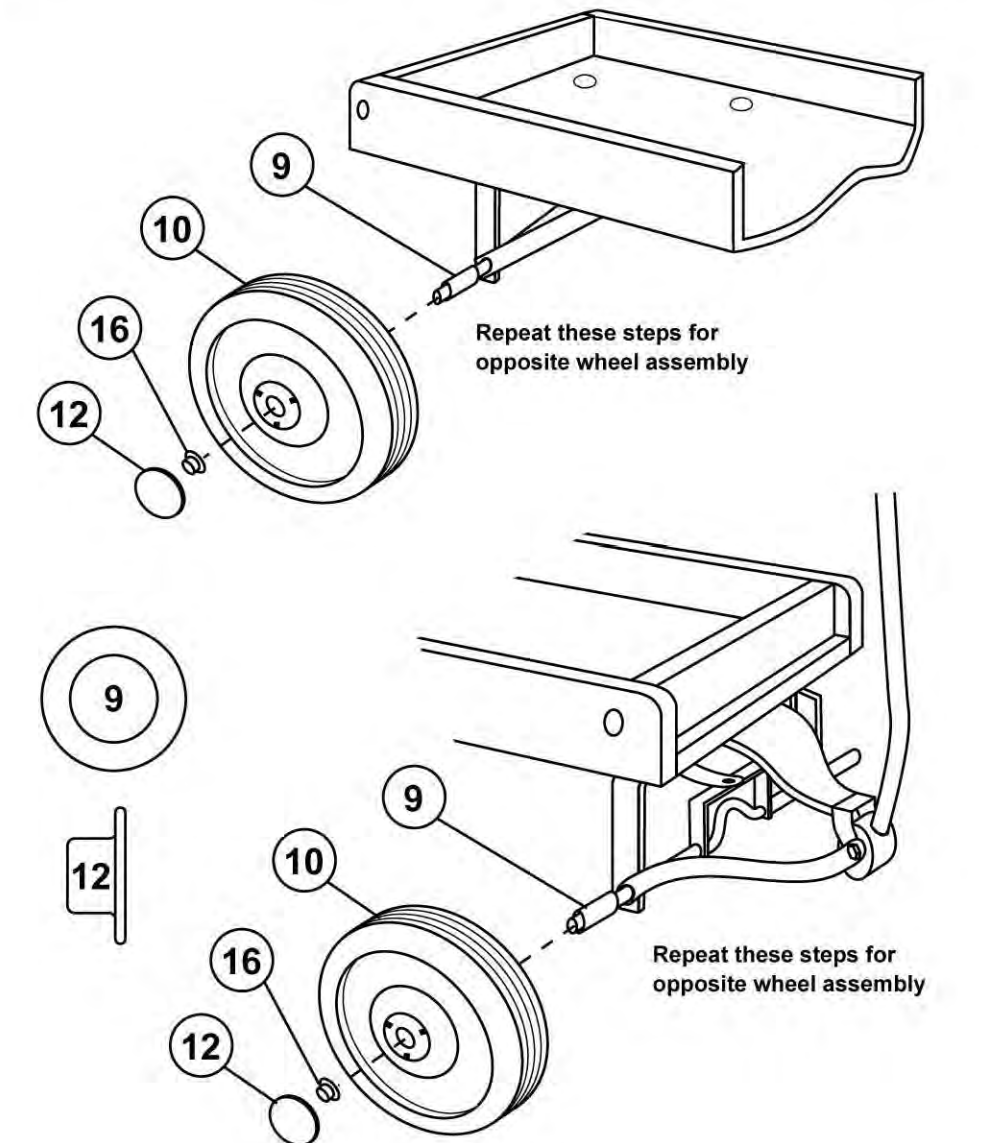
**Step 5**



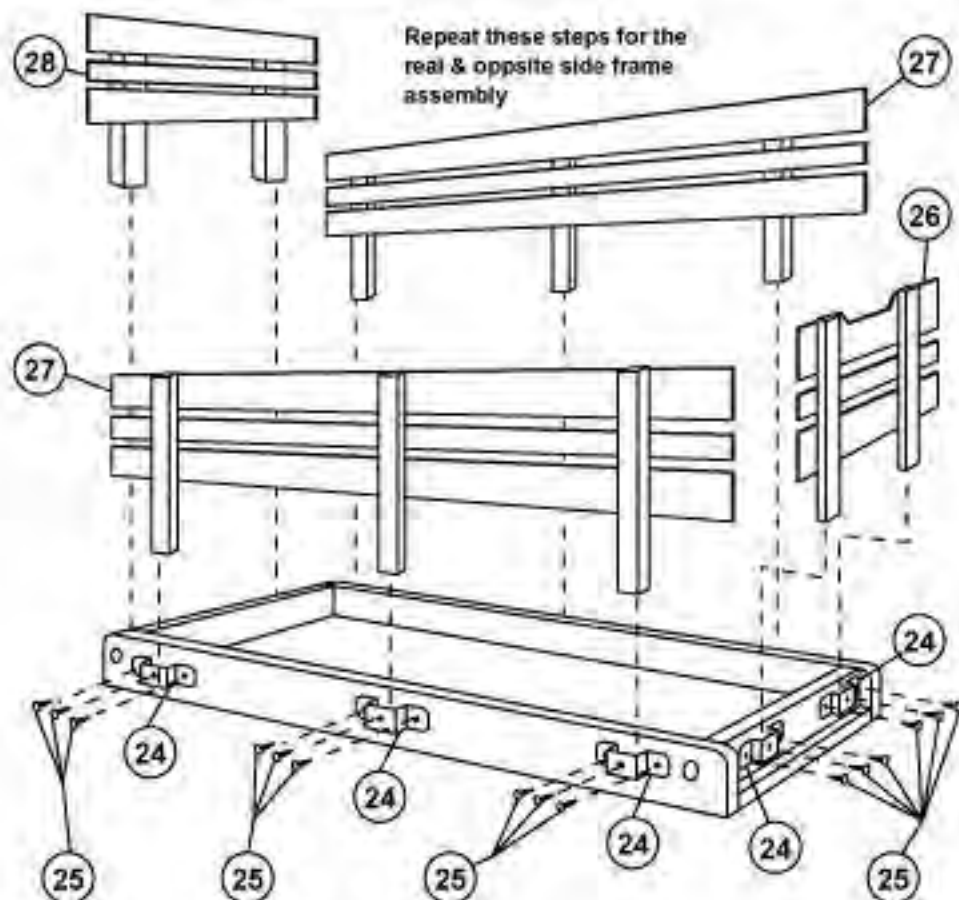
**Step 6**



**Step 7**



## Step 8



For ages 3 and Up

THANK YOU FOR PURCHASING THIS LITTLE BOX WAGON. SHOULD YOU HAVE ANY QUESTIONS REGARDING IT'S ASSEMBLY PLEASE CONTACT US AT ONE OF THE FOLLOWING:

[www.littlebox.com.hk](http://www.littlebox.com.hk)  
or call 718-395-7738

Customer information:  
Please keep information for  
future reference.

**WARNING!**  
Colours and contents may vary  
from items shown.

MADE IN CHINA



# Wooden Wagon

Classic, Safe and Versatile for kids!



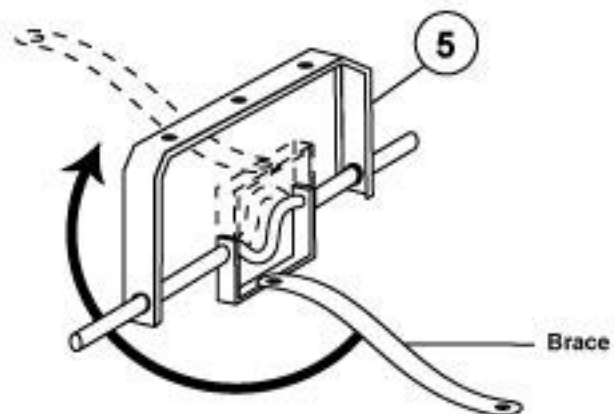
## GENERAL INSTRUCTIONS



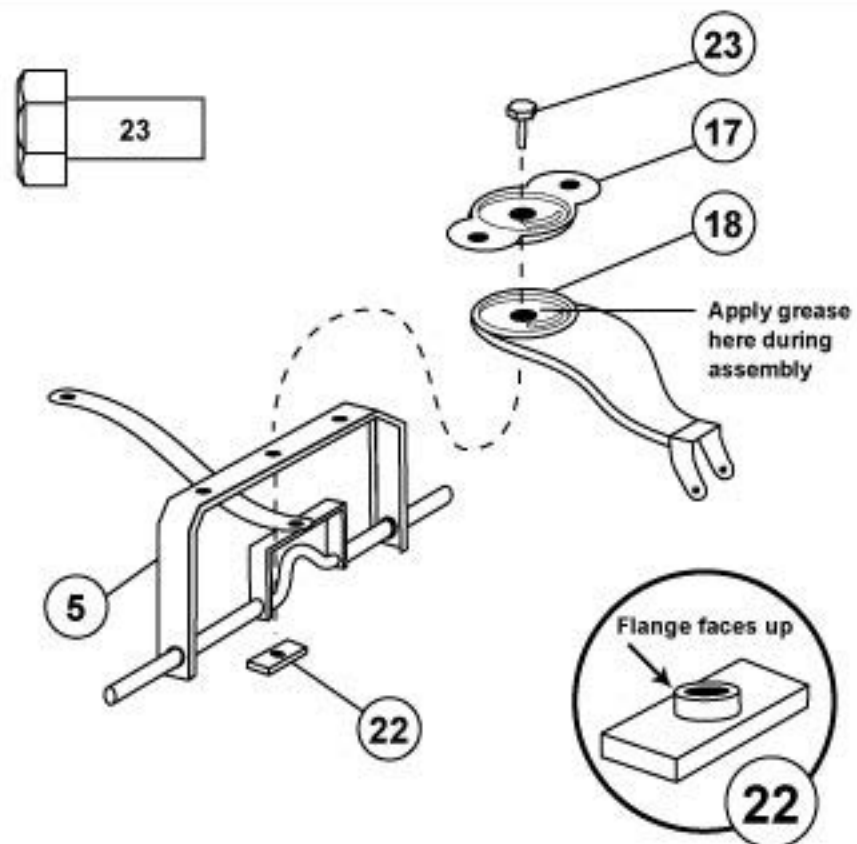
Tools required

- **ADULT ASSEMBLY REQUIRED**, this package contains small parts, which prior to assembly can present a choking hazard for children under the age of three. All plastic bags should be carefully disposed of once unpacked. Any excess hardware should be disposed of properly.
- DETAILED INSTRUCTIONS SHOULD BE FOLLOWED AS SHOWN. FAILURE TO DO SO CAN RESULT IN ???
- TO AVOID SERIOUS INJURY PLEASE TAKE THESE POINTS INTO CONSIDERATION.
- ADULT SUPERVISION IS REQUIRED AT ALL TIMES BOTH DURING ASSEMBLY AND USE.
- CHILDREN MUST REMAINED SEATED AT ALL TIMES. THERE SHOULD NEVER BE MORE THAN TWO CHILDREN IN THE WAGON AT A TIME. THEY SHOULD ALWAYS WEAR SHOES, HELMETS, OR OTHER PROTECTIVE GEAR THAT YOU FEEL IS APPROPRIATE FOR THEIR AGE. ARMS AND LEGS SHOULD REMAIN IN THE WAGON AT ALL TIMES.
- NEVER USE NEAR; MOTOR VEHICLES, STREETS, ALLEYS, SWIMMING POOLS, STEPS, DRIVEWAYS THAT ARE SLOPED, OR AREAS THAT HAVE INCLINES.
- ONCE FULLY ASSEMBLED BE SURE AND CHECK ALL HARDWARE FOR TIGHTNESS. WE SUGGEST THAT YOU ONCE AGAIN CHECK ALL HARDWARE AFTER THE FIRST USE, THEN AGAIN ON REGULAR SCHEDULE.

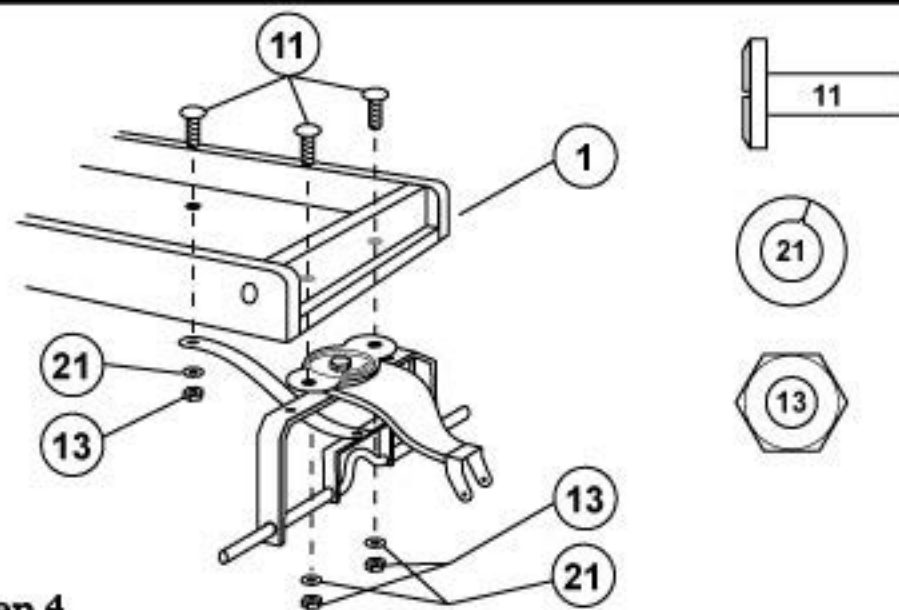
### Step 1



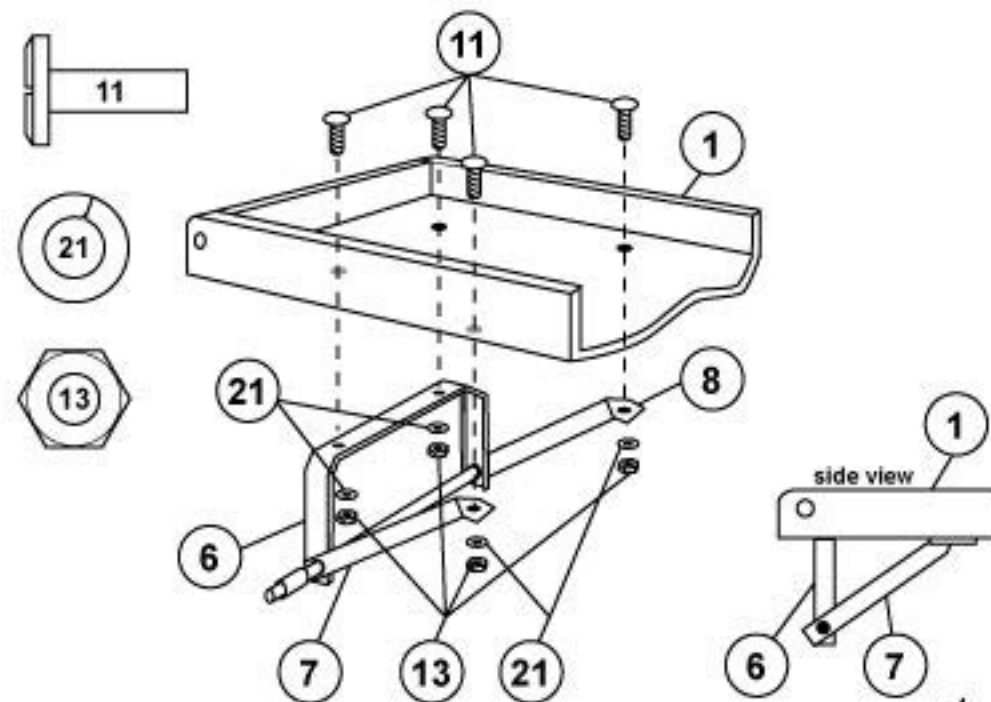
### Step 2



### Step 3

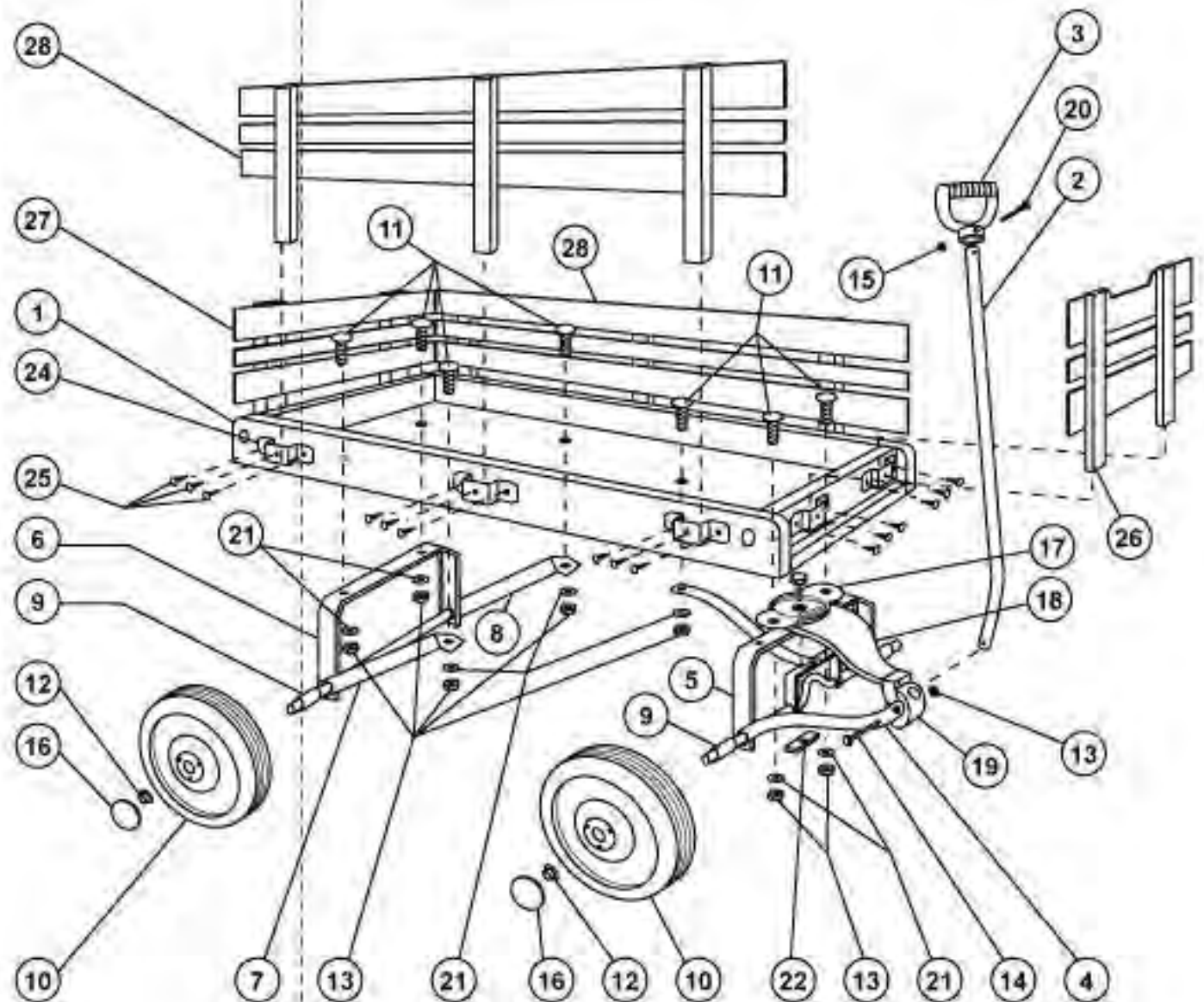


### Step 4

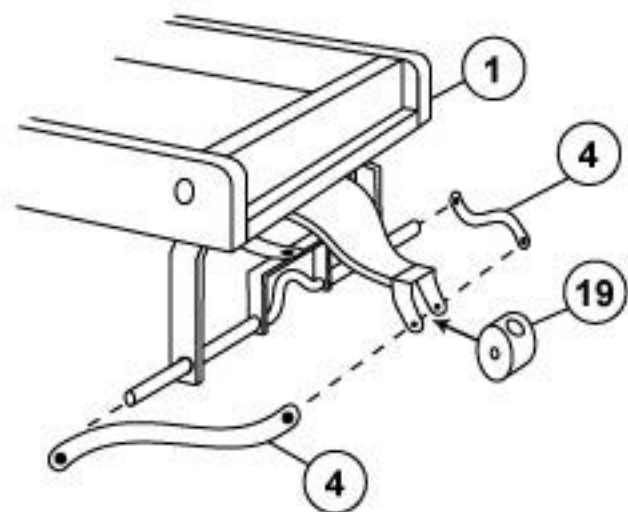


# Wooden Wagon Parts List

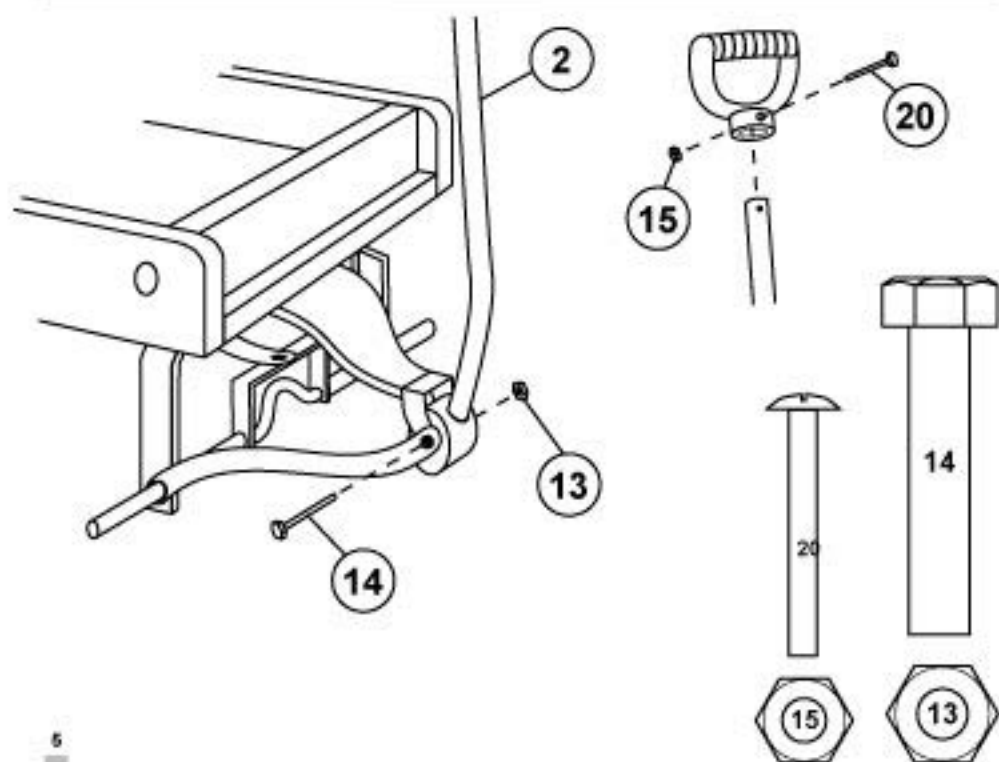
Key No.	Parts Name	Units
1	Body	x 1
2	Handle Assembly	x 1
3	Wagon Handle	x 1
4	Steering Arm Brace	x 2
5	Font U-frame Assembly	x 1
6	Rear U-frame Assembly	x 1
7	Rear Axie Brace - R	x 1
8	Rear Axie Brace - L	x 1
9	Spacer	x 4
10	Wheel	x 4
11	Truss Head Bolt 1/4-20 x1/2"	x 7
12	Pushnut Fastener	x 4
13	Hex Nut 1/4-20	x 7
14	Round Head Bolt 1/4-20 x3/4"	x 1
15	Hex Nut 10-32	x 4
16	Wheel Center	x 4
17	_____	x 1
18	Steering Arm	x 1
19	_____	x 1
20	Truss head Machine Screw	x 1
21	Split Washer	x 7
22	Flage ___ ?	x 1
23	Hex Head Bolt	x 1
24	_____	x 10
25	_____	x 30
26	Front Frame	x 1
27	Rear Frame	x 1
28	Side Frame	x 2



## Step 5



## Step 6



## Step 7

